

EFB SERIES FILL & BLEED CIRCUITS



A fill and bleed circuit is a combination of pneumatic valve components used to inflate a volume or apparatus in one controllable function and to release or vent pressure in a second controllable function. Fill and bleed circuits are commonly used in many applications where a particular pressure, firmness, or position can be controlled with the addition or venting of pressure.

- Compact, robust design
- Extremely fast response
- Exceptionally long life
- Multiple flow and pressure options

Material, Body	Black anodized aluminum
Connection	Wire leads
Medium	Clean, dry air and compatible gases
Mount	In-line or manifold

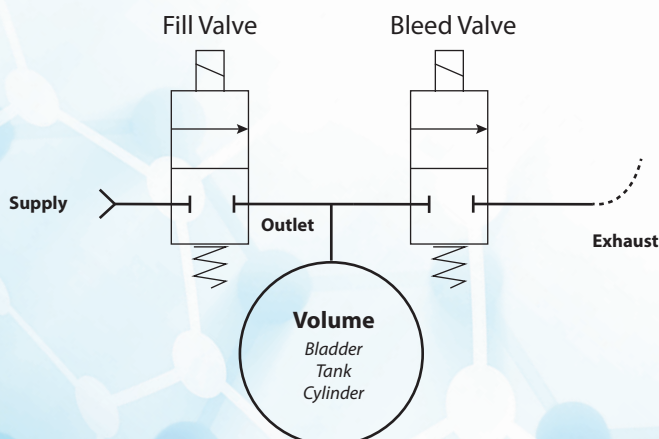
EV Valve Version *(See EV Series for more specifications)*

Material, Body	Nickel-plated brass, ENP carbon steel, nickel iron alloy, 300 series stainless steel
Material, Seals	Nitrile standard; FKM, EPDM ¹ and silicone ¹ available
Material, Spring	Nickel alloy
Material, Wetted	ENP brass, nickel alloy, stainless steel, ENP steel
Max. psig	105 (7.2 bar)
Operating Pressure	28" Hg to 25, 50, or 100 psig (1.7, 3.4, or 7 bar)
Operating Temp. Range	32 to 180°F (0 to 82°C)
Response Time	5 to 10 ms (nominal) @ 25 psig (1.7 bar)
Voltage Op. Range	90 to 150%
Wattage	0.67 watts (nominal)

DV Valve Version *(See DV Series for more specifications)*

Material, Body	Stainless steel
Material, Seals	Nitrile standard; FKM, EPDM and silicone available
Material, Spring	Stainless steel
Material, Wetted	Polyetherimide, stainless steel, PPS
Max. psig	100 (6.9 bar)
Operating Pressure	28" (71 cm) Hg vac. to 50 or 100 psig (3.4 or 7 bar)
Operating Temp. Range	32 to 130°F (0 to 54°C)
Response Time	10 to 15 ms
Voltage Op. Range	95 to 125%
Wattage	1.9 watts

More Details clippard.com/link/efb



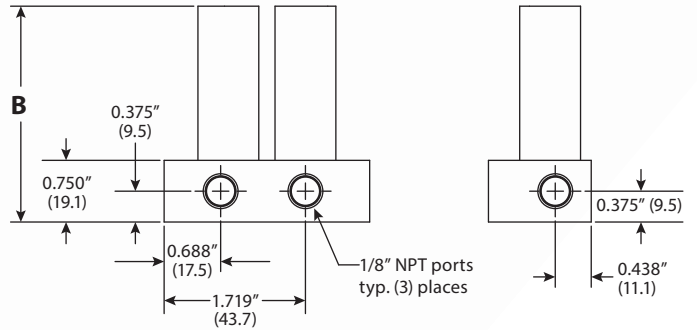
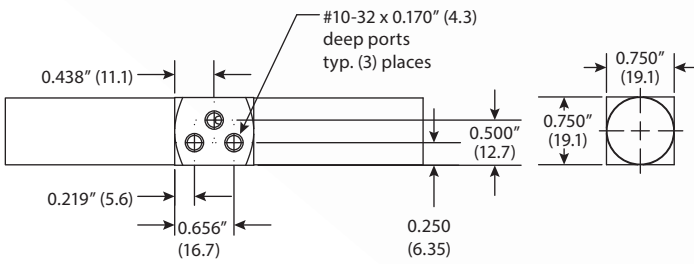
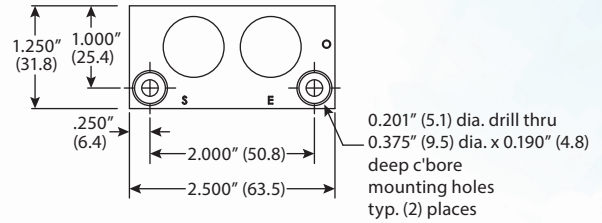
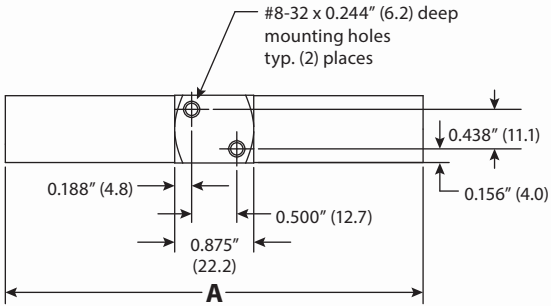
Version 1

In-Line



Version 2

Manifold



ORDERING INFORMATION

E	F	B	-	□	-	□	-	□	-	□
Version				Voltage		Valve Series		Flow		
1				12 12 VDC		M Manifold only		(blank)		
2				24 24 VDC		DV DV Series		(blank) 100 l/min @ 100 psig		
						EV EV Series		L 80 l/min @ 50 psig		
								(blank) 17 l/min @ 100 psig		
								L 14 l/min @ 50 psig		
								H 13 l/min @ 25 psig		

Example Part Number:

EFB-1DV-12-L

For more info, scan the QR code or visit clippard.com/link/efb

